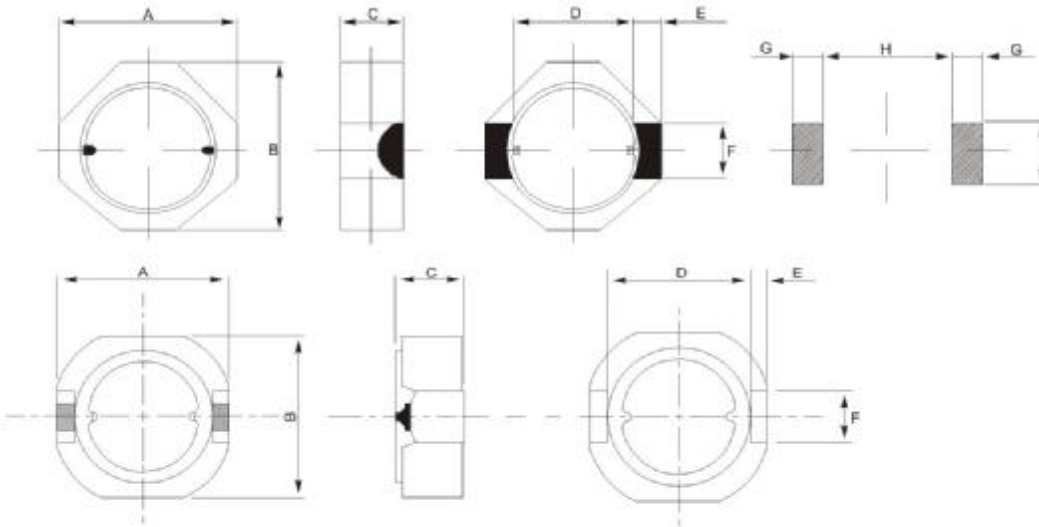


SR Series

Dimensions and Land Patterns. (UNIT: mm)



Applications:
VCR Camera, PDA, HDD,
LCD Display, Cellular Phone,
Cordless Telephone, Etc.

TYPE	A(max)	B(max)	C(max)	D	E	F	G	H	I
SR53	5.80	5.50	3.00	3.90	0.65	1.80	1.10	3.70	2.00
SR63	6.90	6.20	3.50	4.80	0.60	2.00	1.00	4.60	2.60

SMD POWER INDUCTORS

TYPE: SR53, SR63

Parts No.	L (H)	SR53		SR63	
		D.C.R(Ω): MAX.	Rated Current (A)	D.C.R(Ω): MAX.	Rated Current (A)
1R0	1.0u	32m	2.35	17m	3.80
1R5	1.5u	40m	2.20	19m	3.45
2R2	2.2u	52m	2.00	21m	3.15
2R7	2.7u	71m	1.85	23.5m	2.80
3R3	3.3u	81m	1.60	27.5m	2.68
4R7	4.7u	116m	1.50	34m	2.18
6R8	6.8u	130m	1.15	42m	1.93
8R2	8.2u	166m	920m	47m	1.60
100	10u	191m	750m	53m	1.56
120	12u	403m	500m	68m	1.35
150	15u	702m	400m	83m	1.15
180	18u	715m	400m	88m	1.10
220	22u	1.60	370m	115m	1.00
270	27u	2.40	310m	155m	860m
330	33u	3.60	260m	178m	800m
390	39u	6.00	130m	208m	730m
470	47u	8.60	100m	228m	710m
560	56u			280m	630m
680	68u			346m	585m
820	82u			455m	490m
101	100u			518m	470m

※ 测试条件: L≤8.2uH 测试频率100KHz / 0.25V, (N±30%);
L>8.2uH 测试频率1KHz / 0.25V, (M±20%);

※ 测试仪表: HP4291B、502BC、CH1062。