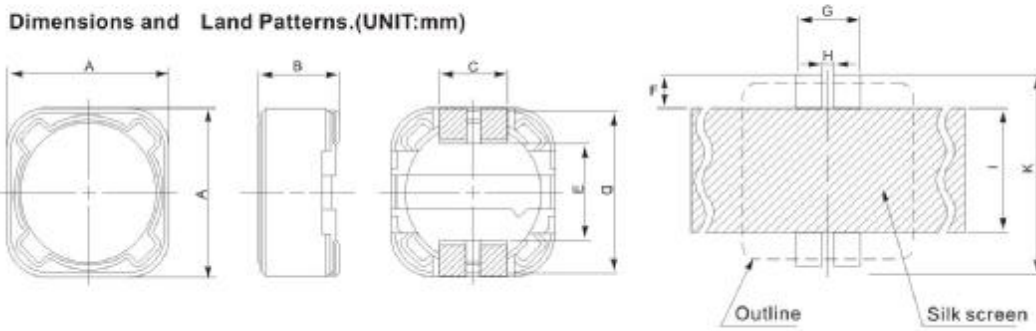


CDH Series

Dimensions and Land Patterns.(UNIT:mm)



Applications: Notebook, Desktop, Modem
equipment, LCD, OA equipment,
other electronic equipment

TYPE	A(max)	B(max)	C	D	E	F	G	H	I	K
CDH124	12.30	4.50	5.00	12.00	7.60	2.80	5.40	0.50	7.00	12.80
CDH125	12.30	6.00	5.00	12.00	7.60	2.80	5.40	0.50	7.00	12.80
CDH127	12.30	8.00	5.00	12.00	7.60	2.80	5.40	0.50	7.00	12.80
CDH129	12.30	10.00	5.00	12.00	7.60	2.80	5.40	0.50	7.00	12.80

SMD POWER INDUCTORS

TYPE: CDH124, CDH125, CDH127, CD129

Parts No.	L (H)	CDH124		CDH125		CDH127		CDH129	
		D.C.R(Ω): MAX.	Rated Current (A)	D.C.R(Ω): MAX.	Rated Current (A)	D.C.R(Ω): MAX.	Rated Current (A)	D.C.R(Ω): MAX.	Rated Current (A)
1R0	1.0u	8m	7.80	11.00m	8.50	6.50m	10.40	6.50m	10.40
1R2	1.2u	9m	7.50	12.00m	8.00	7.50m	9.90	7.50m	9.90
1R5	1.5u	11m	7.20	13.00m	7.50	8.50m	9.20	8.50m	9.20
1R8	1.8u	12m	6.50	14.00m	7.00	10.00m	8.70	10.00m	8.70
2R2	2.2u	13m	6.00	15.50m	6.50	11.00m	8.40	11.00m	8.40
2R7	2.7u	16m	5.70	16.50m	6.10	12.20m	7.80	12.20m	7.80
3R3	3.3u	18m	5.40	18.00m	5.70	13.00m	7.60	13.00m	7.60
3R9	3.9u	21m	5.10	19.50m	5.25	14.00m	7.20	14.00m	7.20
4R7	4.7u	22m	4.80	20.50m	4.70	15.80m	6.80	15.80m	6.80
5R6	5.6u	23m	4.30	21.00m	4.70	16.70m	6.70	16.70m	6.70
6R8	6.8u	26m	4.20	14.30m	4.40	18.40m	6.50	18.40m	6.50
8R2	8.2u	31m	4.00	19.50m	4.25	20.60m	6.00	20.60m	6.00
100	10u	39m	3.90	25.00m	4.00	23.40m	5.40	23.40m	5.40
120	12u	44m	3.40	27.00m	3.50	26.00m	4.90	26.00m	4.90
150	15u	55m	3.20	30.00m	3.30	28.60m	4.50	28.60m	4.50
180	18u	65m	2.90	34.00m	3.00	39.20m	3.90	39.20m	3.90
220	22u	75m	2.50	36.00m	2.80	43.20m	3.60	43.20m	3.60
270	27u	86m	2.25	51.00m	2.30	51.09m	3.30	51.09m	3.30
330	33u	112m	2.00	57.00m	2.10	64.80m	3.00	64.80m	3.00
390	39u	121m	1.90	68.00m	2.00	72.90m	2.75	72.90m	2.75
470	47u	166m	1.80	75.00m	1.80	100.00m	2.50	100.00m	2.50
560	56u	182m	1.70	110.00m	1.70	110.00m	2.35	110.00m	2.35
680	68u	205m	1.55	120.00m	1.50	140.00m	2.10	140.00m	2.10

※ 测试条件: $L \leq 8.2\mu\text{H}$ 测试频率100KHz / 0.25V, ($N \pm 30\%$);
 $L > 8.2\mu\text{H}$ 测试频率1KHz / 0.25V, ($M \pm 20\%$);
 ※ 测试仪表: HP4291B、502BC、CH1062.